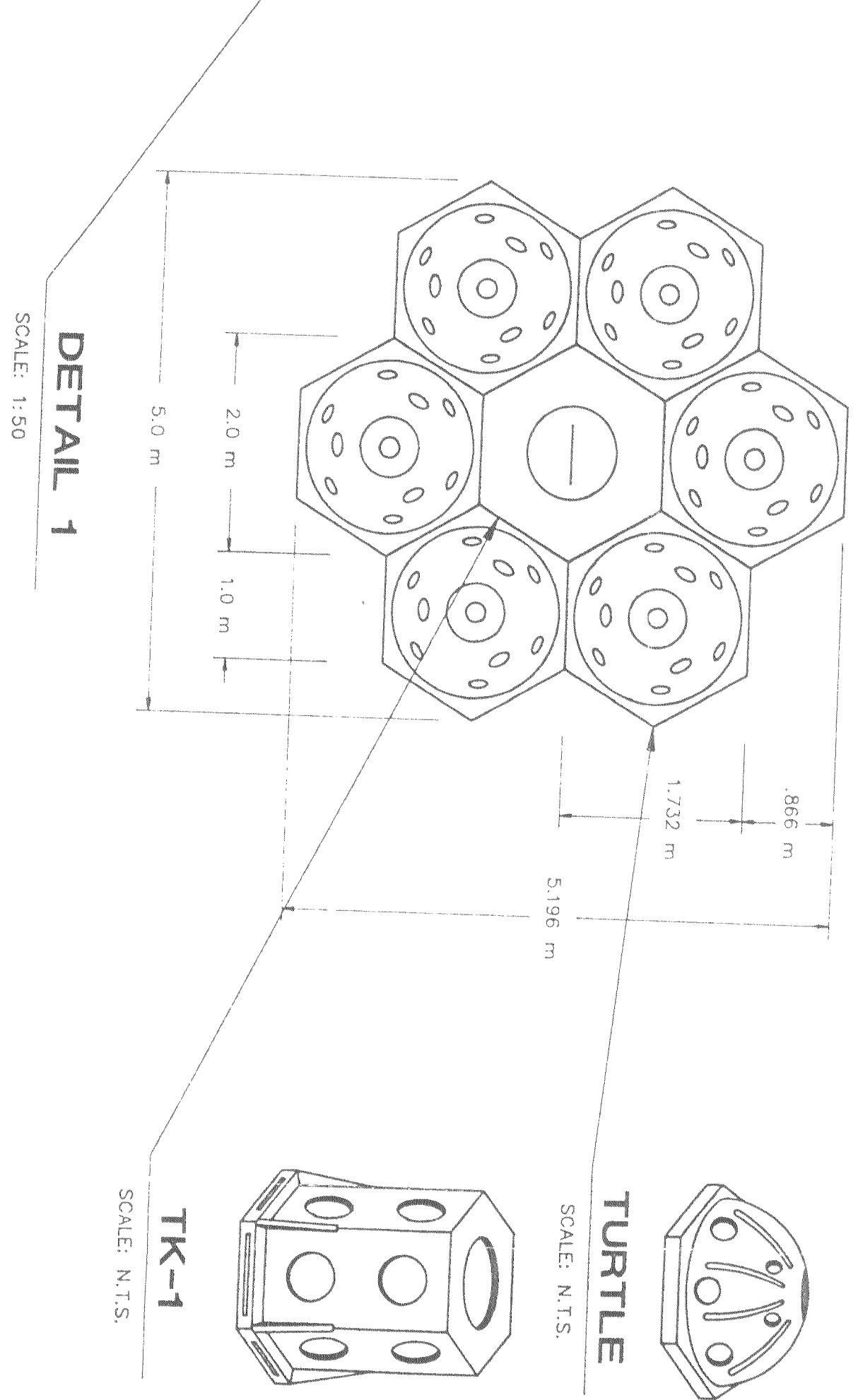
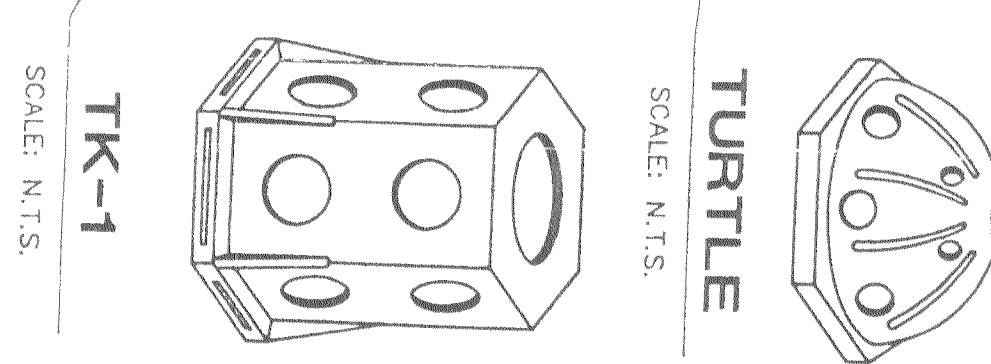


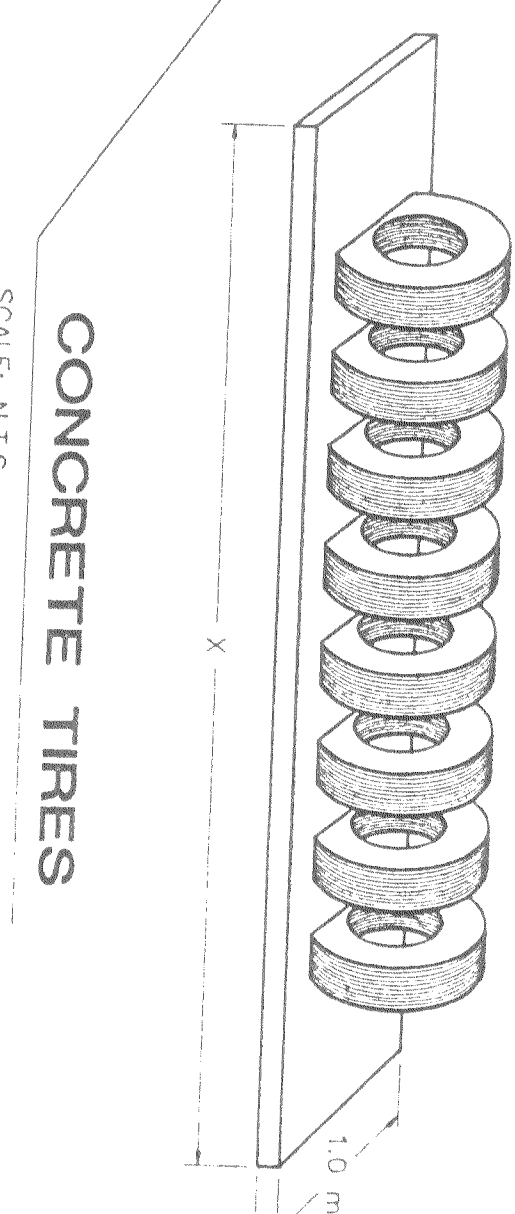
0 1 2 3 4 5  
METERS  
SCALE: 1:50



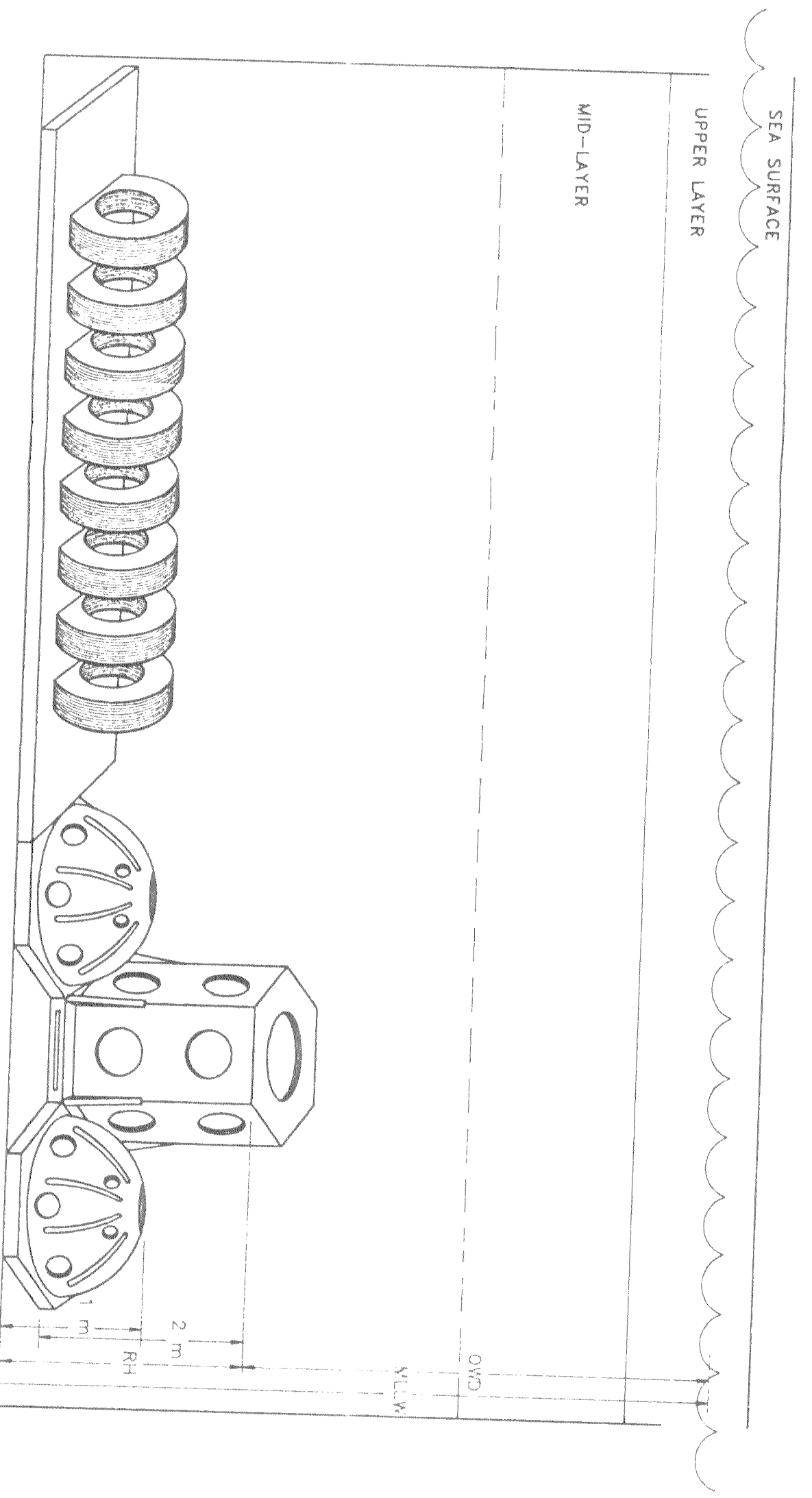
0 5.196 m  
SCALE: 1:50



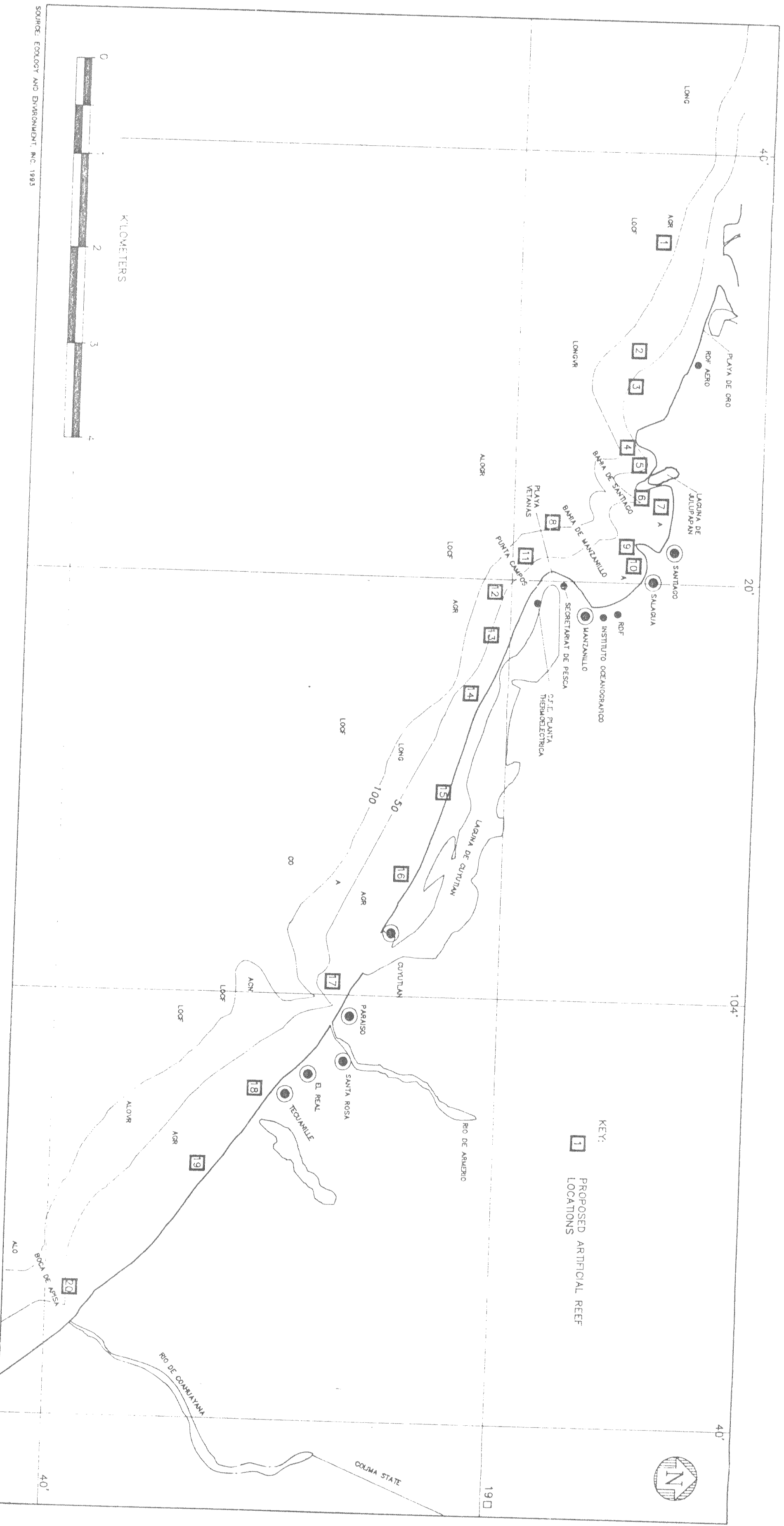
0 5.196 m  
SCALE: N.T.S.



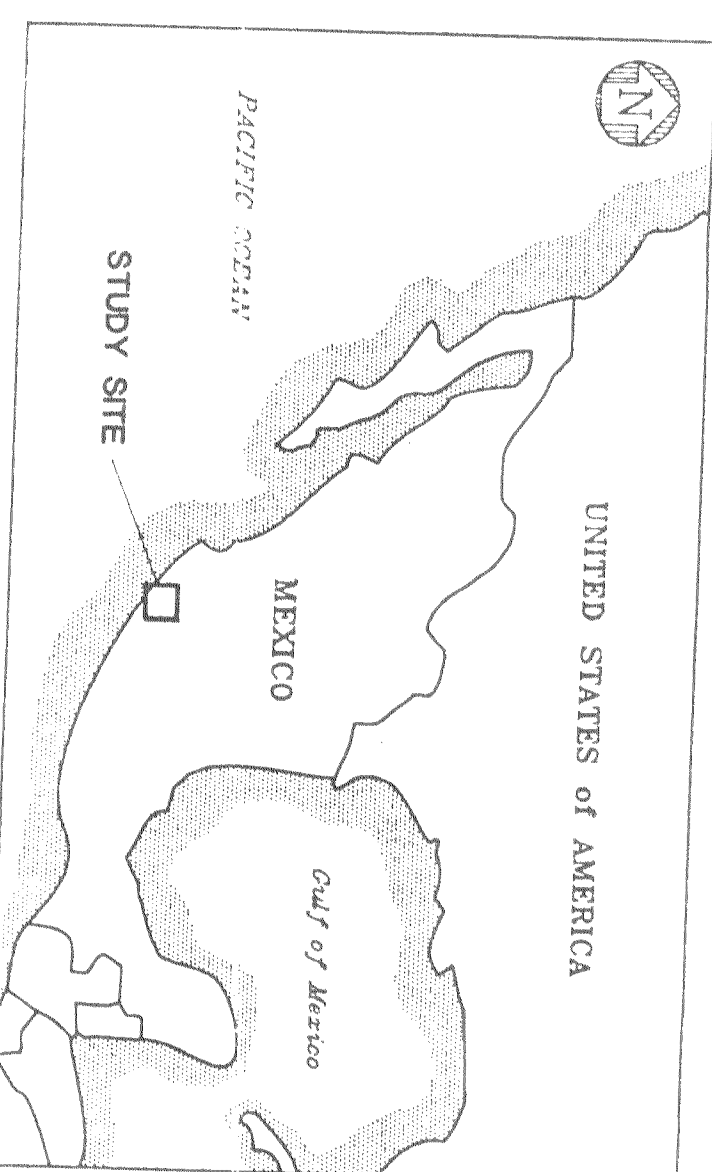
0 5.196 m  
SCALE: N.T.S.



0 5.196 m  
SCALE: N.T.S.



0 1 2 3 4  
KILOMETERS



0 5.196 m  
SCALE: N.T.S.

GENERAL NOTES

1. FISHING REEF BLOCKS AND MODULES SHALL BE EQUAL TO THOSE MANUFACTURED BY:
  - a. TR-1 - KORE STEEL, LTD. 1-8-2 MASBUKOH CHYONGA-KUL, TONGYU
  - b. TURTLE BLOCK - NIPPON KOKAI KK. OHYOKA-KAWASAKI-KEN, JAPAN
2. CONCRETE SHALL HAVE COMPRESSION STRENGTH OF 3000 P.S.I.

**ecology and environment, inc.**  
Sustainable Specifiers in the Environment

DESIGNED BY	M. COLLINS	CHECKED BY	R. SINGH
DRAWN BY	G. BAIT	APPROVED BY	J. WICKOCK

**CENTRO REGIONAL de INVESTIGACION PESQUERA - MANZANILLO**  
**COLIMA ARTIFICIAL REEF**  
**PRELIMINARY DESIGN**

SCALE	DATE	SCALE	DATE
AS NOTED	10/1/93	AS NOTED	10/1/93

01